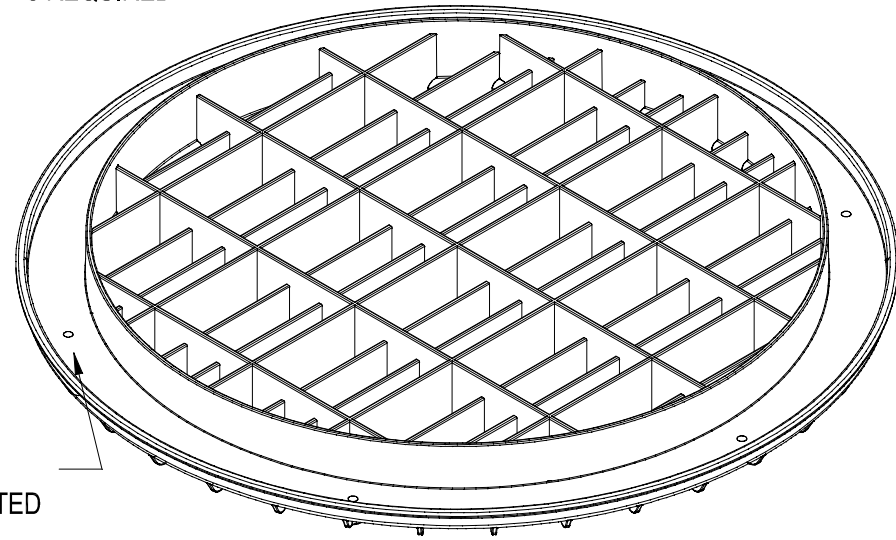


USE # 10 X 2" PAN HEAD SS SCREWS
6 REQUIRED

BOTTOM DETAIL FITS ALL
18" SMOOTH WALL CORRUGATED
AND RIBBED PIPE

CENTER LINE OF SCREW HOLES



POLYLOK 18" HEAVY DUTY GRATE
PART NO. 3007-HDG
MATERIAL - HDPE
COLOR - GREEN
OPEN AREA - 71.94 SQ.IN. [464 SQ.CM.]

